

# **Polymer Technologies, Inc**

## **Elastomeric Solutions Division**

*The Specialist in Custom Shock and Vibration Solutions*

### **Our Company**

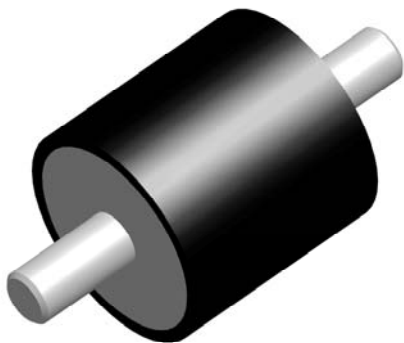
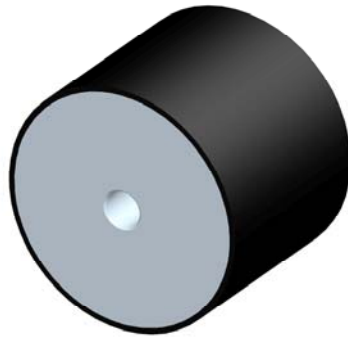
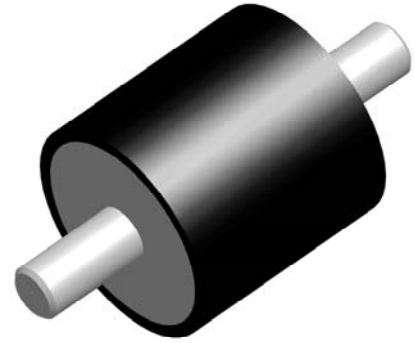
**Polymer Technologies Inc.**, established in 1989, is a Delaware based engineering and manufacturing company specializing in energy management materials including solutions in shock and vibration isolation, noise reduction, and thermal energy management. Polymer Technologies is devoted to providing not only high quality vibration isolation products, but also incredible customer service and collaboration. By integrating high quality base materials, extensive product development, comprehensive materials testing, and customer collaboration, we are able to provide the most innovative and unique vibration solutions in the energy management industry.

Polymer Technologies Inc. is always at the forefront of innovation with our engineers developing high quality, custom shock & vibration isolation materials at our Massachusetts based Elastomeric Solutions Division. Our Elastomeric Solutions Division has been integral in the design and development of Duraflex®, a proprietary rubber compound. Duraflex® is an ultra-high fatigue-life rubber that exhibits high abrasion resistance, high tensile strength, and excellent bond strength to metal, making it the perfect rubber compound to use in industrial tires, trucking applications, engine mounts, and even military equipment. To add to its value, DuraFlex® also obtained the lowest temperature rise known to exist on the Goodrich Flexometer Test, a milestone that no other manufacturer has been able to obtain and something our engineers pride themselves upon.

Polymer Technologies is also the developer and manufacturer of noise absorption materials, acoustic barriers, damping pads, filtration foam, gasketing materials, and thermal insulation.

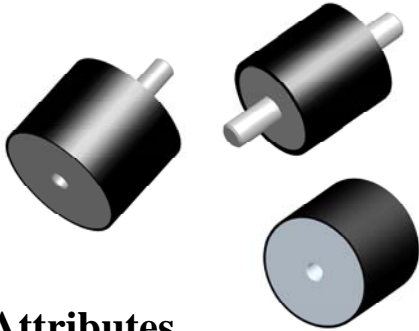
For more information about how DuraFlex® Rubber or any of our other custom solutions can be used in your application, please contact our sales team at [www.polytechinc.com/contact](http://www.polytechinc.com/contact)

# CYLINDRICAL MOUNT SERIES



# Cylindrical Mount Series

Industry standard easy to install, low-cost stud type mounts for vibration, shock and motion accommodation

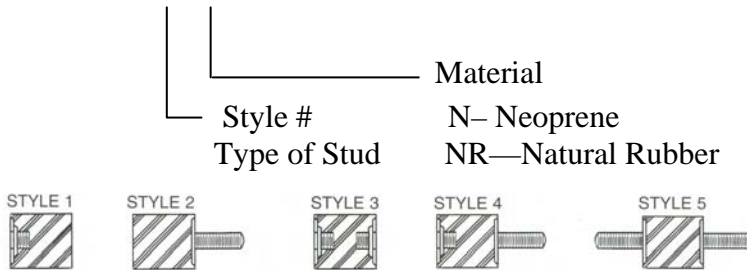


## Attributes

- Easy to install
- Low-cost
- Numerous configuration
- Compact

## How to order cylindrical mounts

EP1000-101-2-N



## Applications

- Small industrial equipment
- HVAC equipment
- Business equipment
- Air compressors (no mobile)

## Benefits

- Simple design and sturdy construction permit their use in a wide variety of industrial applications

## Load range axial compression

- EP1000 = load ratings from 3.0—27.2 lbs.
- EP1100 = load ratings from 2.5—45 lbs.
- EP1105 = load ratings from 5.0—18 lbs.
- EP1200 = load ratings from 6.0—92 lbs.
- EP1300 = load ratings from 9.2—380 lbs.
- EP1400 = load ratings from 20—220 lbs.
- EP1500 = load ratings from 37—560 lbs.
- EP1600 = load ratings from 44—180 lbs.
- EP1700 = load ratings from 110—230 lbs.
- EP1830 = load ratings from 80—400 lbs.
- EP1810 = load ratings from 60—780 lbs.

## Specifications

- Natural Frequency—10-30 Hertz
- Transmissibility at resonance—8-10:1
- Resilient Element—Neoprene and Natural Rubber
- Materials—Low carbon steel, zinc plate

## Elastomeric data

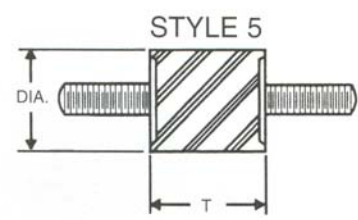
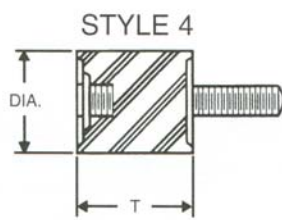
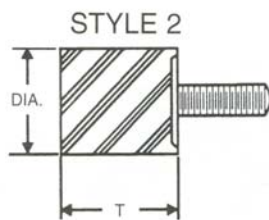
- Neoprene elastomer has an operating temperature range of  $-20^{\circ}\text{F}$  to  $+180^{\circ}\text{F}$  ( $-30^{\circ}\text{C}$  to  $+82^{\circ}\text{C}$ ) and is resistant to oils, most solvents and ozone
- Natural Rubber has an operating temperature range of  $-25^{\circ}\text{F}$  to  $+160^{\circ}\text{F}$  ( $-37^{\circ}\text{C}$  to  $+70^{\circ}\text{C}$ )
- Other materials are available on special order to meet specific operating characteristics

**E**

# Cylindrical Mount Series: 6-32 Threads

\*Ordering example: EP1000-101-(5)-(N) = 3/8 dia x 5/16 long, 3 lbs. load, Style 5, Neoprene

PART NUMBER	STYLES AVAILABLE	DIA (in.)	T (in.)	STANDARD STUD LENGTH (in.)	MAXIMUM STATIC LOAD (lbs.)	
					Shear	Compression
EP1000-101-(-)-(-)	2,4,5	3/8	5/16	3/8	.5	3.0
EP1000-102-(-)-(-)					.7	4.0
EP1000-103-(-)-(-)					1.0	5.0
EP1000-104-(-)-(-)					1.2	6.0
EP1000-105-(-)-(-)					1.5	7.0
EP1000-121-(-)-(-)	2,4,5	7/16	7/16	3/8	2.0	4.2
EP1000-122-(-)-(-)					2.9	5.7
EP1000-123-(-)-(-)					4.2	8.5
EP1000-124-(-)-(-)					5.8	10.4
EP1000-125-(-)-(-)					6.9	11.9
EP1000-131-(-)-(-)	2,4,5	7/16	1/2	3/8	2.7	4.9
EP1000-132-(-)-(-)					3.6	6.4
EP1000-133-(-)-(-)					5.6	10.4
EP1000-134-(-)-(-)					6.4	13.3
EP1000-135-(-)-(-)					7.4	15.8
EP1000-141-(-)-(-)	2,4,5	1/2	1/2	3/8	3.6	6.5
EP1000-142-(-)-(-)					4.5	9.2
EP1000-143-(-)-(-)					7.3	13.2
EP1000-144-(-)-(-)					9.2	19.3
EP1000-145-(-)-(-)					11.2	27.2



AVAILABLE IN NATURAL AND NEOPRENE

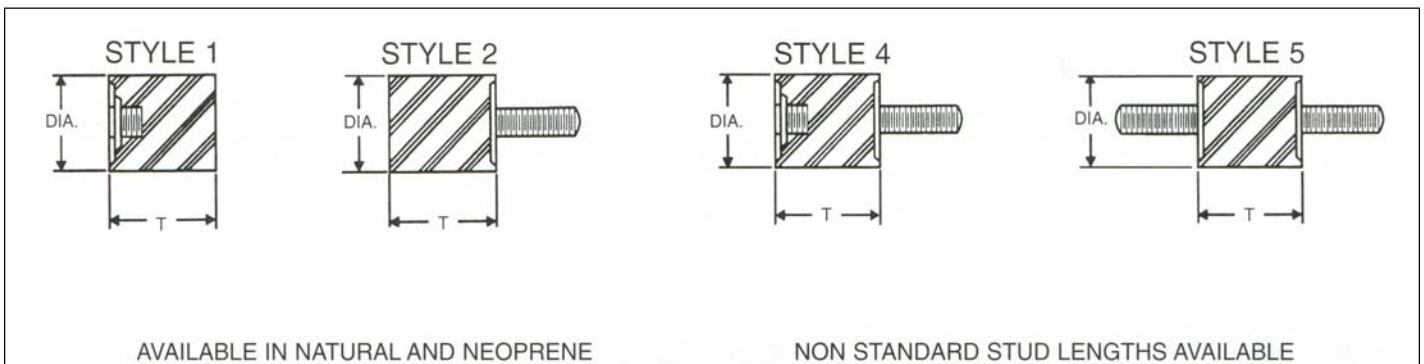
NON STANDARD STUD LENGTHS AVAILABLE

# Cylindrical Mount Series: 8-32 Threads

\*Ordering example: EP1100-101-(5)-(NR) = 3/8 dia x 1/4 long, 3 lbs. load, Style 5, Natural Rubber

PART NUMBER	STYLES AVAILABLE	DIA (in.)	T (in.)	STANDARD STUD LENGTH (in.)	MAXIMUM STATIC LOAD (lbs.)	
					Shear	Compression
EP1100-101-(-)(-)	1, 2, 4, 5	3/8	1/4	3/8	.5	3.0
EP1100-102-(-)(-)					.7	4.0
EP1100-103-(-)(-)					1.0	5.0
EP1100-104-(-)(-)					1.2	6.0
EP1100-105-(-)(-)					1.5	7.0
EP1100-106-(-)(-)	2, 5	3/8	5/32	3/8	.3	2.5
EP1100-107-(-)(-)					.5	3.5
EP1100-108-(-)(-)					.8	4.5
EP1100-109-(-)(-)					1.0	5.5
EP1100-110-(-)(-)					1.2	6.5
EP1100-111-(-)(-)	1, 2, 4, 5	3/8	1/2	3/8	.8	4.5
EP1100-112-(-)(-)					1.2	6.2
EP1100-113-(-)(-)					1.7	8.0
EP1100-114-(-)(-)					1.9	9.5
EP1100-115-(-)(-)					2.3	10.9
EP1100-116-(-)(-)	2, 5	3/8	5/16	3/8	.5	3.0
EP1100-117-(-)(-)					.7	4.0
EP1100-118-(-)(-)					1.0	5.0
EP1100-119-(-)(-)					1.2	6.0
EP1100-120-(-)(-)					1.5	7.0

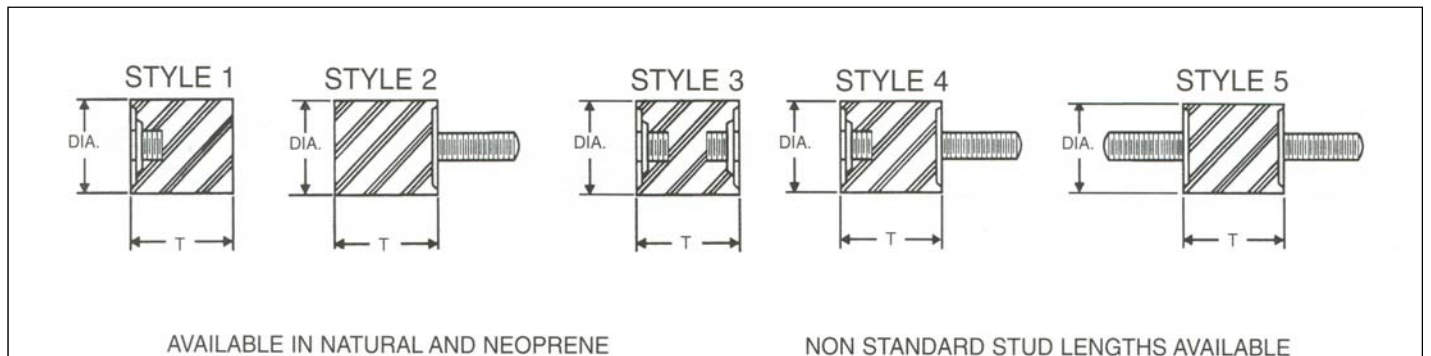
**E**



# Cylindrical Mount Series: 8-32 Threads

\*Ordering example: EP1100-121-(5)-(N) = 7/16 dia x 1/2 long, 4.9 lbs. load, Style 5, Neoprene

PART NUMBER	STYLES AVAILABLE	DIA (in.)	T (in.)	STANDARD STUD LENGTH (in.)	MAXIMUM STATIC LOAD (lbs.)	
					Shear	Compression
EP1100-121(-)(-)	1, 2, 3, 4, 5	7/16	1/2	3/8	2.7	4.9
EP1100-122(-)(-)					3.6	6.4
EP1100-123(-)(-)					5.6	10.4
EP1100-124(-)(-)					6.4	13.3
EP1100-125(-)(-)					7.4	15.8
EP1100-126(-)(-)	1, 2, 3, 4, 5	1/2	3/4	3/8	8.5	22.0
EP1100-127(-)(-)					12.0	29.0
EP1100-128(-)(-)					16.0	35.0
EP1100-129(-)(-)					20.0	40.0
EP1100-130(-)(-)					25.0	45.0
EP1100-131(-)(-)	1, 2, 3, 4, 5	9/16	1/2	3/8	4.4	8.0
EP1100-132(-)(-)					6.7	12.0
EP1100-133(-)(-)					9.0	16.0
EP1100-134(-)(-)					12.0	25.0
EP1100-135(-)(-)					15.0	33.0
EP1100-136(-)(-)	1, 2, 3, 4, 5	9/16	.66	3/8	4.2	7.8
EP1100-137(-)(-)					6.3	11.5
EP1100-138(-)(-)					8.5	15.3
EP1100-139(-)(-)					11.4	22.2
EP1100-140(-)(-)					14.1	45.0

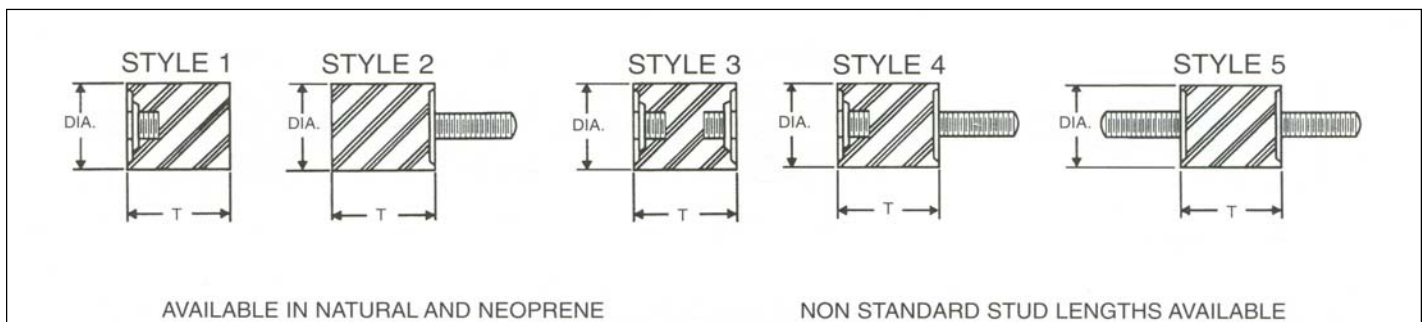


# Cylindrical Mount Series: 8-32 Threads

\*Ordering example: EP1100-141-(5)-(N) = 9/16 dia x 3/4 long, 22 lbs. load, Style 5, Neoprene

**E**

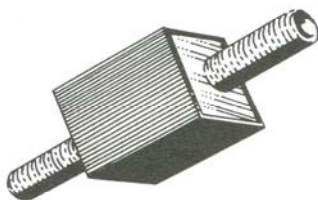
PART NUMBER	STYLES AVAILABLE	DIA (in.)	T (in.)	STANDARD STUD LENGTH (in.)	MAXIMUM STATIC LOAD (lbs.)	
					Shear	Compression
EP1100-141-(-)(-)	1, 2, 3, 4, 5	9/16	3/4	3/8	8.5	22.0
EP1100-142-(-)(-)					12.0	29.0
EP1100-143-(-)(-)					16.0	35.0
EP1100-144-(-)(-)					20.0	40.0
EP1100-145-(-)(-)					25.0	45.0
EP1100-146-(-)(-)	1, 2, 3, 4, 5	7/16	7/16	3/8	2.0	4.2
EP1100-147-(-)(-)					2.9	5.7
EP1100-148-(-)(-)					4.2	8.5
EP1100-149-(-)(-)					5.8	10.4
EP1100-150-(-)(-)					6.9	11.9
EP1100-151-(-)(-)	1, 2, 3, 4, 5	5/8	1/2	3/8	4.6	9.0
EP1100-152-(-)(-)					6.8	13.0
EP1100-153-(-)(-)					9.5	17.0
EP1100-154-(-)(-)					13.0	26.0
EP1100-155-(-)(-)					15.0	31.0
EP1100-161-(-)(-)	1, 2, 3, 4, 5	3/4	1/2	3/8	8.0	22.0
EP1100-162-(-)(-)					11.0	29.0
EP1100-163-(-)(-)					15.0	35.0
EP1100-164-(-)(-)					18.0	18.0
EP1100-165-(-)(-)					21.0	21.0



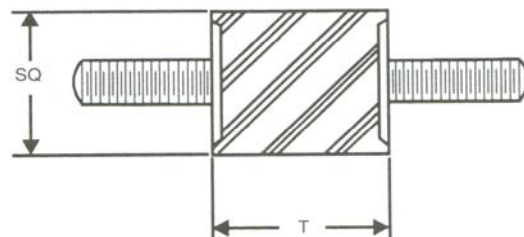
# Rectangular Mount Series: 8-32 Threads

\*Ordering example: EP1105-801-(N) = 5/16 long, 6.5 lbs. load, Neoprene

PART NUMBER	SQ (square) (in.)	T (in.)	STANDARD STUD LENGTH (in.)	MAXIMUM STATIC LOAD (lbs.)	
				Shear	Compression
EP1105-801-(-)	3/8	5/16	7/32	4.5	6.5
EP1105-802-(-)	3/8	5/16	7/32	5.5	9.0
EP1105-803-(-)	3/8	5/16	7/32	8.0	12.0
EP1105-804-(-)	3/8	5/16	7/32	10.0	15.5
EP1105-805-(-)	3/8	5/16	7/32	12.5	18.0
EP1105-811-(-)	3/8	1/2	3/8	2.5	5.0
EP1105-812-(-)	3/8	1/2	3/8	3.5	6.5
EP1105-813-(-)	3/8	1/2	3/8	5.5	11.0
EP1105-814-(-)	3/8	1/2	3/8	7.0	14.0
EP1105-815-(-)	3/8	1/2	3/8	8.5	17.0



AVAILABLE IN NATURAL AND NEOPRENE



NON STANDARD STUD LENGTHS AVAILABLE

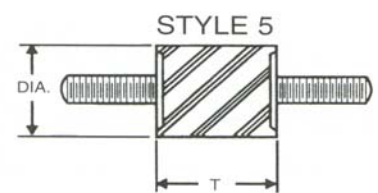
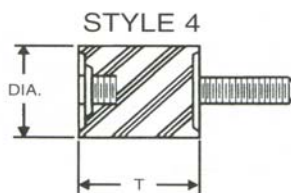
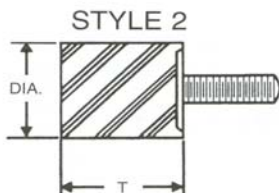


# Cylindrical Mount Series: 10-32 Threads

\*Ordering example: EP1200-101-(5)-(N) = 9/16 dia x 1/2 long, 8 lbs. load, Style 5, Neoprene

**E**

PART NUMBER	STYLES AVAILABLE	DIA (in.)	T (in.)	STANDARD STUD LENGTH (in.)	MAXIMUM STATIC LOAD (lbs.)	
					Shear	Compression
EP1200-101-(-)-(-)	2, 4, 5	9/16	1/2	3/8	4.4	8.0
EP1200-102-(-)-(-)					6.7	12.0
EP1200-103-(-)-(-)					9.4	16.0
EP1200-104-(-)-(-)					12.0	25.0
EP1200-105-(-)-(-)					15.0	33.0
EP1200-106-(-)-(-)	2, 5	9/16	5/16	3/8	3.0	6.0
EP1200-107-(-)-(-)					5.2	8.0
EP1200-108-(-)-(-)					7.0	12.0
EP1200-109-(-)-(-)					9.0	19.0
EP1200-110-(-)-(-)					11.0	27.0
EP1200-121-(-)-(-)	2, 4, 5	3/4	5/8	3/8	9.0	23.0
EP1200-122-(-)-(-)					12.0	30.0
EP1200-123-(-)-(-)					16.0	37.0
EP1200-124-(-)-(-)					18.5	41.0
EP1200-125-(-)-(-)					21.0	45.5
EP1200-131-(-)-(-)	2, 5	1	3/8	3/8	8.5	21.0
EP1200-132-(-)-(-)					1.2	31.0
EP1200-133-(-)-(-)					17.5	36.5
EP1200-134-(-)-(-)					18.0	40.0
EP1200-135-(-)-(-)					22.0	46.0
EP1200-141-(-)-(-)	2, 4, 5	1	3/4	3/8	18.0	35.0
EP1200-142-(-)-(-)					25.0	45.0
EP1200-143-(-)-(-)					34.0	60.0
EP1200-144-(-)-(-)					40.0	80.0
EP1200-145-(-)-(-)					48.0	92.0



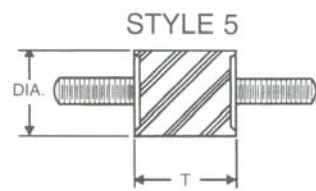
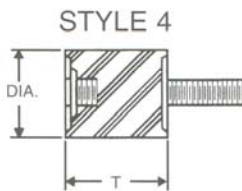
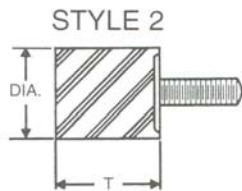
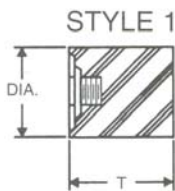
AVAILABLE IN NATURAL AND NEOPRENE

NON STANDARD STUD LENGTHS AVAILABLE

# Cylindrical Mount Series: 1/4-20 Threads

\*Ordering example: EP1300-101-(5)-(N) = 5/8 dia x 5/8 long, 9.2 lbs. load, Style 5, Neoprene

PART NUMBER	STYLES AVAILABLE	DIA (in.)	T (in.)	STANDARD STUD LENGTH (in.)	MAXIMUM STATIC LOAD (lbs.)	
					Shear	Compression
EP1300-101-(-)(-)	1, 2, 4, 5	5/8	5/8	1/2	5.2	9.2
EP1300-102-(-)(-)					7.3	13.1
EP1300-103-(-)(-)					10.1	17.0
EP1300-104-(-)(-)					13.2	24.0
EP1300-105-(-)(-)					14.0	28.0
EP1300-111-(-)(-)	2, 4, 5	3/4	3/8	1/2	8.5	22.0
EP1300-112-(-)(-)					12.0	29.0
EP1300-113-(-)(-)					16.0	35.0
EP1300-114-(-)(-)					20.0	40.0
EP1300-115-(-)(-)					25.0	45.0
EP1300-116-(-)(-)	2, 4, 5	1	1/4	1/2	10.0	22.0
EP1300-117-(-)(-)					12.5	32.0
EP1300-118-(-)(-)					17.0	36.5
EP1300-119-(-)(-)					19.5	43.0
EP1300-120-(-)(-)					21.0	46.5
EP1300-121-(-)(-)	1, 2, 4, 5	3/4	1/2	1/2	8.5	22.0
EP1300-122-(-)(-)					13.0	30.0
EP1300-123-(-)(-)					16.5	36.0
EP1300-124-(-)(-)					19.2	42.5
EP1300-125-(-)(-)					26.5	47.0
EP1300-126-(-)(-)	2, 5	1	3/8	1/2	9.0	20.0
EP1300-127-(-)(-)					11.5	30.0
EP1300-128-(-)(-)					15.5	35.0
EP1300-129-(-)(-)					18.0	41.0
EP1300-130-(-)(-)					20.5	45.0



AVAILABLE IN NATURAL AND NEOPRENE

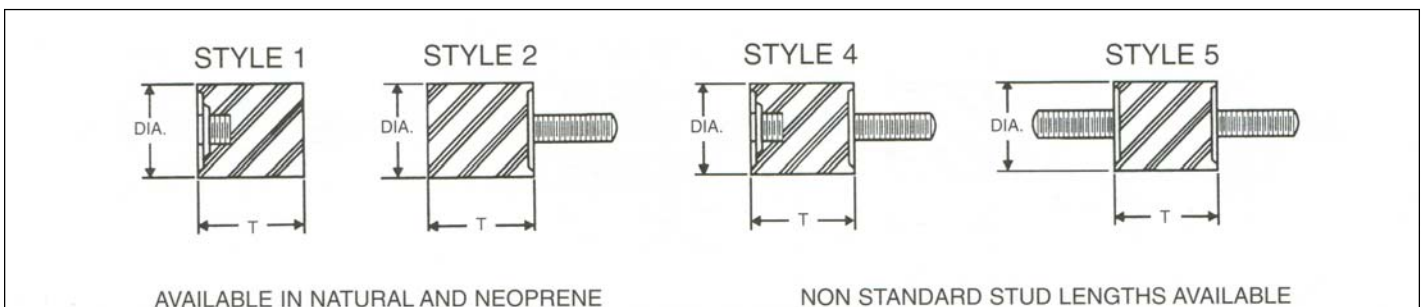
NON STANDARD STUD LENGTHS AVAILABLE

# Cylindrical Mount Series: 1/4-20 Threads

\*Ordering example: EP1300-131-(5)-(N) = 3/4 dia x 5/8 long, 23 lbs. load, Style 5, Neoprene

**E**

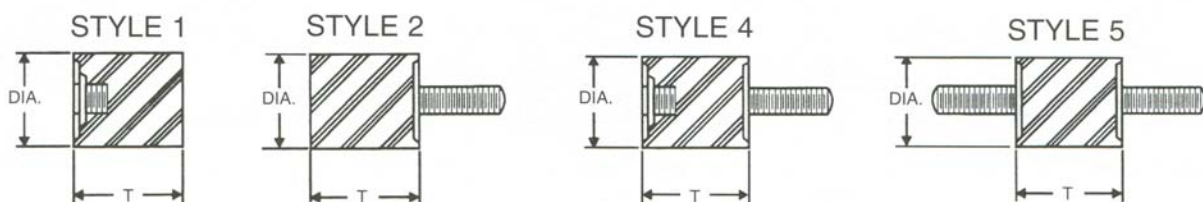
PART NUMBER	STYLES AVAILABLE	DIA (in.)	T (in.)	STANDARD STUD LENGTH (in.)	MAXIMUM STATIC LOAD (lbs.)	
					Shear	Compression
EP1300-131-(-)(-)	1, 2, 4, 5	3/4	5/8	1/2	9.0	23.0
EP1300-132-(-)(-)					12.0	30.0
EP1300-133-(-)(-)					16.0	37.0
EP1300-134-(-)(-)					18.5	41.0
EP1300-135-(-)(-)					21.0	45.5
EP1300-136-(-)(-)	1, 2, 4, 5	3/4	3/4	1/2	9.5	24.0
EP1300-137-(-)(-)					14.0	32.0
EP1300-138-(-)(-)					18.0	38.0
EP1300-139-(-)(-)					21.0	45.0
EP1300-140-(-)(-)					28.5	50.0
EP1300-141-(-)(-)	1, 2, 4, 5	3/4	1	1/2	8.0	22.5
EP1300-142-(-)(-)					12.5	30.5
EP1300-143-(-)(-)					17.0	36.5
EP1300-144-(-)(-)					20.0	43.0
EP1300-145-(-)(-)					27.0	48.5
EP1300-146-(-)(-)	1, 2, 4, 5	1	17/32	1/2	19.0	40.0
EP1300-147-(-)(-)					21.0	43.0
EP1300-148-(-)(-)					37.0	74.0
EP1300-149-(-)(-)					42.0	175.0
EP1300-150-(-)(-)					49.0	380.0
EP1300-151-(-)(-)	1, 2, 4, 5	1	3/4	1/2	18.0	35.0
EP1300-152-(-)(-)					25.0	45.0
EP1300-153-(-)(-)					34.0	60.0
EP1300-154-(-)(-)					40.0	80.0
EP1300-155-(-)(-)					45.0	88.0



# Cylindrical Mount Series: 1/4-20 Threads

\*Ordering example: EP1300-156-(5)-(N) = 1" dia x 5/8 long, 37.5 lbs. load, Style 5, Neoprene

PART NUMBER	STYLES AVAILABLE	DIA (in.)	T (in.)	STANDARD STUD LENGTH (in.)	MAXIMUM STATIC LOAD (lbs.)	
					Shear	Compression
EP1300-156-(-)(-)	1, 2, 4, 5	1	5/8	1/2	18.5	37.5
EP1300-157-(-)(-)					23.0	44.0
EP1300-158-(-)(-)					35.0	57.0
EP1300-159-(-)(-)					41.0	77.0
EP1300-160-(-)(-)					47.0	84.0
EP1300-161-(-)(-)	1, 2, 4, 5	1	1	1/2	15.0	37.0
EP1300-162-(-)(-)					23.0	50.0
EP1300-163-(-)(-)					35.0	62.0
EP1300-164-(-)(-)					43.0	85.0
EP1300-165-(-)(-)					48.0	91.0
EP1300-166-(-)(-)	1, 2, 4, 5	1	1 1/4	1/2	13.0	34.5
EP1300-167-(-)(-)					21.5	48.0
EP1300-168-(-)(-)					33.0	60.0
EP1300-169-(-)(-)					41.0	83.5
EP1300-170-(-)(-)					46.5	89.0
EP1300-171-(-)(-)	1, 2, 4, 5	1 1/4	3/4	1/2	30.0	55.0
EP1300-172-(-)(-)					40.0	75.0
EP1300-173-(-)(-)					50.0	100
EP1300-174-(-)(-)					60.0	140
EP1300-175-(-)(-)					70.0	160
EP1300-176-(-)(-)	1, 2, 4, 5	1 1/4	1	1/2	32.0	56.0
EP1300-177-(-)(-)					37.0	82.0
EP1300-178-(-)(-)					48.0	115
EP1300-179-(-)(-)					63.0	123
EP1300-180-(-)(-)					72.0	130



AVAILABLE IN NATURAL AND NEOPRENE

NON STANDARD STUD LENGTHS AVAILABLE

# Cylindrical Mount Series: 5/16-18 Threads

\*Ordering example: EP1400-091-(5)-(N) = 3/4 dia x 1" long, 25 lbs. load, Style 5, Neoprene

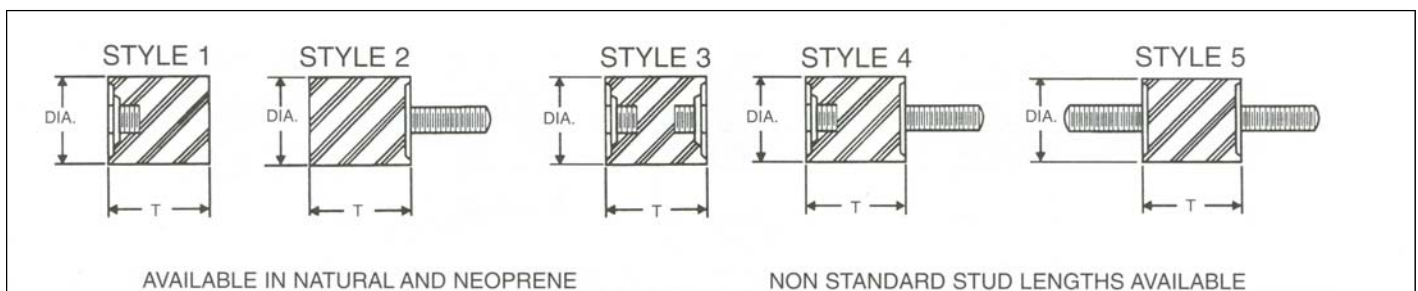
PART NUMBER	STYLES AVAILABLE	DIA (in.)	T (in.)	STANDARD STUD LENGTH (in.)	MAXIMUM STATIC LOAD (lbs.)	
					Shear	Compression
EP1400-091-(-)(-)	1, 2, 4, 5	3/4	1	1/2	10.0	25.0
EP1400-092-(-)(-)					13.0	30.0
EP1400-093-(-)(-)					15.8	39.0
EP1400-094-(-)(-)					22.0	47.0
EP1400-095-(-)(-)					31.0	59.0
EP1400-096-(-)(-)	1, 2, 4, 5	3/4	5/8	1/2	9.0	23.0
EP1400-097-(-)(-)					12.0	30.0
EP1400-098-(-)(-)					16.0	37.0
EP1400-099-(-)(-)					18.5	41.0
EP1400-100-(-)(-)					21.0	45.5
EP1400-101-(-)(-)	1, 2, 5	1	5/8	1/2	19.0	37.0
EP1400-102-(-)(-)					23.5	44.5
EP1400-103-(-)(-)					35.5	56.0
EP1400-104-(-)(-)					41.0	77.0
EP1400-105-(-)(-)					47.5	84.0
EP1400-106-(-)(-)	1, 2, 4, 5	1	17/32	1/2	20.0	39.0
EP1400-107-(-)(-)					22.0	44.0
EP1400-108-(-)(-)					37.0	54.0
EP1400-109-(-)(-)					42.0	74.0
EP1400-110-(-)(-)					50.0	80.0
EP1400-111-(-)(-)	1, 2, 4, 5	1	3/4	1/2	18.0	35.0
EP1400-112-(-)(-)					25.0	45.0
EP1400-113-(-)(-)					34.0	60.0
EP1400-114-(-)(-)					40.0	80.0
EP1400-115-(-)(-)					45.0	88.0
EP1400-116-(-)(-)	2, 5	1	3/8	1/2	9.0	20.0
EP1400-117-(-)(-)					11.5	30.0
EP1400-118-(-)(-)					15.5	35.0
EP1400-119-(-)(-)					18.0	41.0
EP1400-120-(-)(-)					20.5	45.0



# Cylindrical Mount Series: 5/16-18 Threads

\*Ordering example: EP1400-121-(2)-(NR) = 1" dia x 1" long, 37 lbs. load, Style 2, Natural Rubber

PART NUMBER	STYLES AVAILABLE	DIA (in.)	T (in.)	STANDARD STUD LENGTH (in.)	MAXIMUM STATIC LOAD (lbs.)	
					Shear	Compression
EP1400-121-(-)(-)	1, 2, 3, 4, 5	1	1	1/2	15.0	37.0
EP1400-122-(-)(-)					23.0	50.0
EP1400-123-(-)(-)					35.0	62.0
EP1400-124-(-)(-)					43.0	85.0
EP1400-125-(-)(-)					48.0	91.0
EP1400-126-(-)(-)	1, 2, 4, 5	3/4	3/4	1/2	9.5	24.0
EP1400-127-(-)(-)					14.0	32.0
EP1400-128-(-)(-)					18.0	38.0
EP1400-129-(-)(-)					22.0	45.0
EP1400-130-(-)(-)					28.5	50.0
EP1400-131-(-)(-)	1, 2, 4, 5	1	1 1/4	5/8	16.5	40.0
EP1400-132-(-)(-)					25.0	52.0
EP1400-133-(-)(-)					37.0	63.0
EP1400-134-(-)(-)					45.0	87.0
EP1400-135-(-)(-)					50.0	98.0
EP1400-146-(-)(-)	2	3/4	3/8	1/2	N/A	22.0
EP1400-147-(-)(-)					N/A	28.5
EP1400-148-(-)(-)					N/A	35.0
EP1400-149-(-)(-)					N/A	41.0
EP1400-150-(-)(-)					N/A	48.5

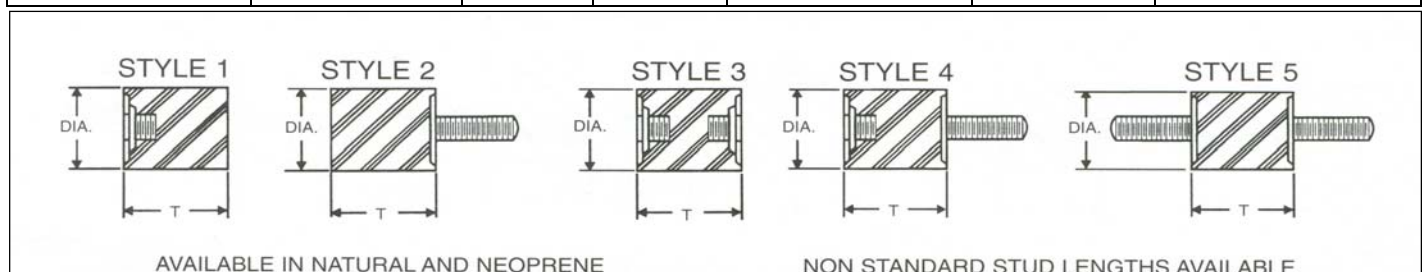


# Cylindrical Mount Series: 5/16-18 Threads

\*Ordering example: EP1400-156-(2)-(N) = 1 1/4 dia x 3/4 long, 55 lbs. load, Style 2, Neoprene

PART NUMBER	STYLES AVAILABLE	DIA (in.)	T (in.)	STANDARD STUD LENGTH (in.)	MAXIMUM STATIC LOAD (lbs.)	
					Shear	Compression
EP1400-156-(-)(-)	1, 2, 4, 5	1 1/4	3/4	9/16	30.0	55.0
EP1400-157-(-)(-)					40.0	75.0
EP1400-158-(-)(-)					50.0	100
EP1400-159-(-)(-)					60.0	140
EP1400-160-(-)(-)					70.0	155
EP1400-161-(-)(-)	1, 2, 3, 4, 5	1 1/4	1	9/16	30.0	55.0
EP1400-162-(-)(-)					40.0	80.0
EP1400-163-(-)(-)					49.0	112
EP1400-164-(-)(-)					60.0	126
EP1400-165-(-)(-)					69.0	140
EP1400-166-(-)(-)	1, 2, 3, 4, 5	1 1/4	7/8	9/16	32.0	56.0
EP1400-167-(-)(-)					37.0	82.0
EP1400-168-(-)(-)					48.0	115
EP1400-169-(-)(-)					63.0	123
EP1400-170-(-)(-)					75.0	135
EP1400-171-(-)(-)	1, 2, 3, 4, 5	1 1/4	1 1/4	9/16	21.0	41.0
EP1400-172-(-)(-)					31.0	64.0
EP1400-173-(-)(-)					48.0	90.0
EP1400-174-(-)(-)					63.0	120
EP1400-175-(-)(-)					72.0	140
EP1400-176-(-)(-)	2	1 1/4	1/4	9/16	N/A	75.0
EP1400-177-(-)(-)					N/A	100
EP1400-178-(-)(-)					N/A	132
EP1400-179-(-)(-)					N/A	146
EP1400-180-(-)(-)					N/A	160
EP1400-181-(-)(-)	2, 4, 5	1 3/8	5/8	9/16	36.0	93.0
EP1400-182-(-)(-)					46.0	118
EP1400-183-(-)(-)					57.0	158
EP1400-184-(-)(-)					67.0	185
EP1400-185-(-)(-)					77.0	220

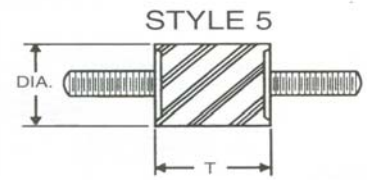
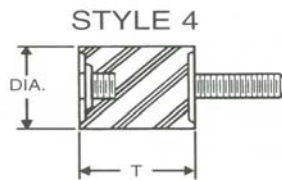
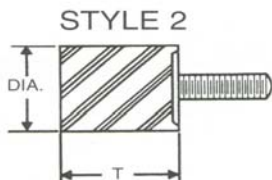
**E**



# Cylindrical Mount Series: 5/16-18 Threads

\*Ordering example: EP1400-191-(5)-(N) = 1 3/8 dia x 1" long, 55 lbs. load, Style 5, Neoprene

PART NUMBER	STYLES AVAILABLE	DIA (in.)	T (in.)	STANDARD STUD LENGTH (in.)	MAXIMUM STATIC LOAD (lbs.)	
					Shear	Compression
EP1400-191-(-)(-)	1, 2, 4, 5	1 3/8	1	9/16	30.0	55.0
EP1400-192-(-)(-)					40.0	81.0
EP1400-193-(-)(-)					50.0	110
EP1400-194-(-)(-)					61.0	125
EP1400-195-(-)(-)					70.0	142
EP1400-201-(-)(-)	2, 4, 5	1 3/8	1 1/2	9/16	30.0	90.0
EP1400-202-(-)(-)					42.0	110
EP1400-203-(-)(-)					53.0	148
EP1400-204-(-)(-)					62.0	179
EP1400-205-(-)(-)					70.0	195
EP1400-206-(-)(-)	2, 4, 5	1 1/2	3/4	9/16	23.5	44.5
EP1400-207-(-)(-)					35.0	67.0
EP1400-208-(-)(-)					49.5	102
EP1400-209-(-)(-)					63.5	115
EP1400-210-(-)(-)					72.0	125
EP1400-211-(-)(-)	2, 4, 5	1 1/2	1	9/16	22.0	43.0
EP1400-212-(-)(-)					33.0	65.0
EP1400-213-(-)(-)					48.0	100
EP1400-214-(-)(-)					62.0	110
EP1400-215-(-)(-)					70.0	119
EP1400-216-(-)(-)	2, 4, 5	1 1/2	1.2	9/16	20.0	41.0
EP1400-217-(-)(-)					31.5	63.0
EP1400-218-(-)(-)					46.0	97.5
EP1400-219-(-)(-)					60.0	107
EP1400-220-(-)(-)					67.5	115
EP1400-246-(-)(-)	2, 4, 5	1 1/2	1 1/2	9/16	18.0	39.5
EP1400-247-(-)(-)					24.5	61.0
EP1400-248-(-)(-)					44.5	96.0
EP1400-249-(-)(-)					57.5	105
EP1400-250-(-)(-)					65.0	112



AVAILABLE IN NATURAL AND NEOPRENE

NON STANDARD STUD LENGTHS AVAILABLE

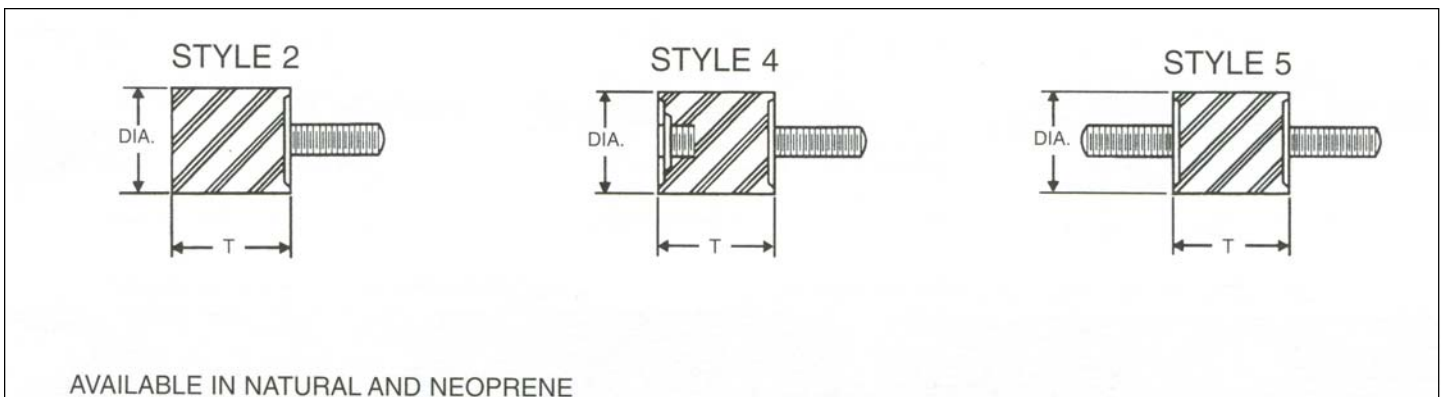


# Cylindrical Mount Series: 3/8-16 Threads

\*Ordering example: EP1500-106-(5)-(NR) = 1" dia x 1" long, 37 lbs. load, Style 5, Natural Rubber



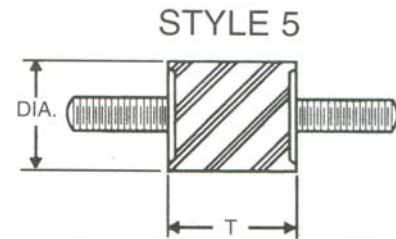
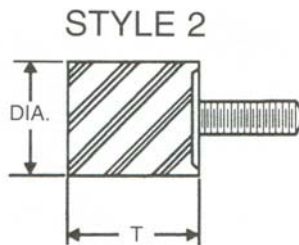
PART NUMBER	STYLES AVAILABLE	DIA (in.)	T (in.)	STANDARD STUD LENGTH (in.)	MAXIMUM STATIC LOAD (lbs.)	
					Shear	Compression
EP1500-106-(-)(-)	2, 4, 5	1	1	3/8	18.0	37.0
EP1500-107-(-)(-)					25.0	50.0
EP1500-108-(-)(-)					35.0	62.0
EP1500-109-(-)(-)					43.0	85.0
EP1500-110-(-)(-)					48.0	91.0
EP1500-111-(-)(-)	2, 4, 5	1 1/2	1	3/4	22.0	95
EP1500-112-(-)(-)					33.0	135
EP1500-113-(-)(-)					48.0	185
EP1500-114-(-)(-)					62.0	210
EP1500-115-(-)(-)					70.0	210
EP1500-126-(-)(-)	2, 4, 5	2	3/4	3/4	45	250
EP1500-127-(-)(-)					70	310
EP1500-128-(-)(-)					90	370
EP1500-129-(-)(-)					110	450
EP1500-130-(-)(-)					140	560



# Cylindrical Mount Series: 3/8-16 Threads

\*Ordering example: EP1500-131-(5)-(N) = 2" dia x 1 1/2 long, 80 lbs. load, Style 5, Neoprene

PART NUMBER	STYLES AVAILABLE	DIA (in.)	T (in.)	STANDARD STUD LENGTH (in.)	MAXIMUM STATIC LOAD (lbs.)	
					Shear	Compression
EP1500-131-(-)-(-)	2, 5	2	1 1/2	3/4	35.0	80.0
EP1500-132-(-)-(-)					40.0	100
EP1500-133-(-)-(-)					55.0	165
EP1500-134-(-)-(-)					65.0	240
EP1500-135-(-)-(-)					80.0	350
EP1500-141-(-)-(-)	2, 5	2	1 3/4	3/4	24.0	80.0
EP1500-142-(-)-(-)					29.0	135
EP1500-143-(-)-(-)					58.0	280
EP1500-144-(-)-(-)					79.0	360
EP1500-145-(-)-(-)					29.0	8.5
EP1500-151-(-)-(-)	2, 5	2	2 1/8	3/4	32.0	140
EP1500-152-(-)-(-)					44.0	250
EP1500-153-(-)-(-)					50.0	110
EP1500-154-(-)-(-)					58.0	285
EP1500-155-(-)-(-)					92.0	380



AVAILABLE IN NATURAL AND NEOPRENE

# Conical Mount Series: 5/16-18 Threads

\*Ordering example: EP1600-101-(NR) = 1 1/4 long, 90 lbs. load, Natural Rubber

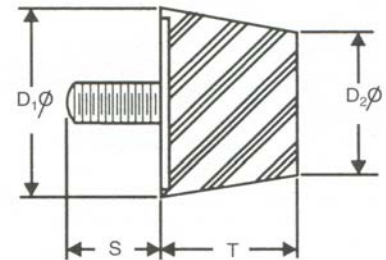
**E**

PART NUMBER	D <sub>1</sub> (in.)	D <sub>2</sub> (in.)	T (in.)	S (in.)	STATIC LOAD (lbs.)	DYNAMIC LOAD (lbs.)
EP1600-101(-)	1 1/2	1	1 1/4	9/16	44	90
EP1600-102(-)					49	100
EP1600-103(-)					56	125
EP1600-104(-)					62	150
EP1600-105(-)					68	160
EP1600-106(-)	1 1/2	1	1 1/4	5/8	44	90
EP1600-107(-)					49	100
EP1600-108(-)					56	125
EP1600-109(-)					62	150
EP1600-110(-)					68	160
EP1600-111(-)	1 1/2	1	1 1/4	3/4	44	90
EP1600-112(-)					49	100
EP1600-113(-)					56	125
EP1600-114(-)					62	150
EP1600-115(-)					68	160
EP1600-121(-)	1 1/2	1	1 1/4	1 1/8	44	90
EP1600-122(-)					49	100
EP1600-123(-)					56	125
EP1600-124(-)					62	150
EP1600-125(-)					68	160
EP1600-126(-)	1 1/2	1	1 1/4	1	44	90
EP1600-127(-)					49	100
EP1600-128(-)					56	125
EP1600-129(-)					62	150
EP1600-130(-)					68	160
EP1600-131(-)	1 1/2	1	1 1/4	1 1/2	44	90
EP1600-132(-)					49	100
EP1600-133(-)					56	125
EP1600-134(-)					62	150
EP1600-135(-)					68	160

# Conical Mount Series: 5/16-18 Threads

\*Ordering example: EP1600-141-(N) = 1 1/4 long, 90 lbs. load, Neoprene

PART NUMBER	D <sub>1</sub> (in.)	D <sub>2</sub> (in.)	T (in.)	S (in.)	STATIC LOAD (lbs.)	DYNAMIC LOAD (lbs.)
EP1600-141-(-)	1 1/2	1	1 1/4	1/2	44	90
EP1600-142-(-)					49	100
EP1600-143-(-)					56	125
EP1600-144-(-)					62	150
EP1600-145-(-)					68	160
EP1600-301-(-)	1 5/8	1 3/8	1	5/8	40	85
EP1600-302-(-)					55	115
EP1600-303-(-)					80	175
EP1600-304-(-)					100	205
EP1600-305-(-)					180	350



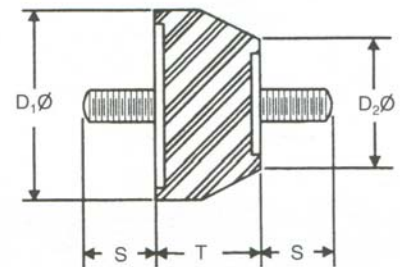
AVAILABLE IN NATURAL AND NEOPRENE

# Cylindrical Mount Series

\*Ordering example: EP1700-101-(N) = 1 1/32 long, 260 lbs. load, Neoprene

**E**

PART NUMBER	D <sub>1</sub> (in.)	D <sub>2</sub> (in.)	T (in.)	THREAD	S (in.)	STATIC LOAD (lbs.)	DYNAMIC LOAD (lbs.)
EP1700-101(-)	2 3/4	2	1 1/32	1/2-13	1 1/4	110	260
EP1700-102(-)						140	330
EP1700-103(-)						165	380
EP1700-104(-)						190	430
EP1700-105(-)						230	500
EP1700-111(-)	2 3/4	2	1 1/32	1/2-20	29/32	110	260
EP1700-112(-)						140	330
EP1700-113(-)						165	380
EP1700-114(-)						190	430
EP1700-115(-)						230	500

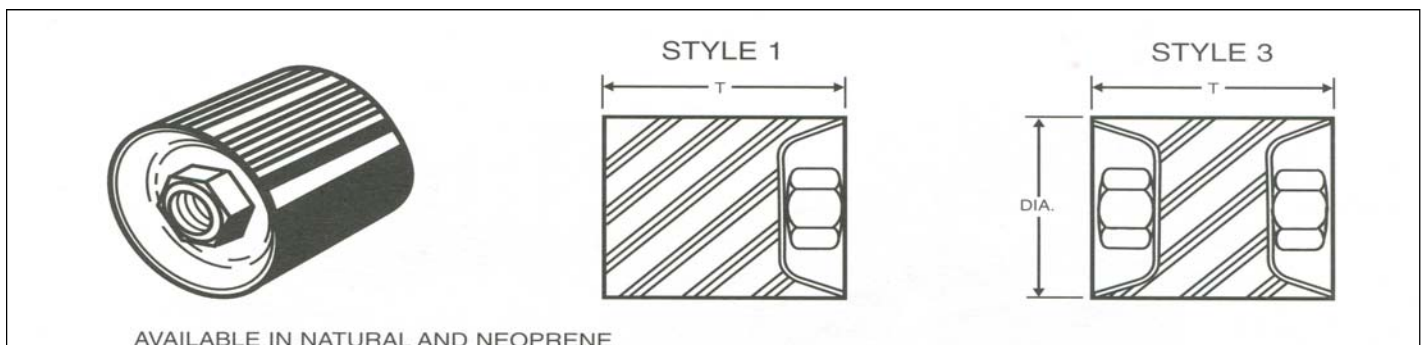


AVAILABLE IN NATURAL AND NEOPRENE

# Cylindrical Mount Series

\*Ordering example: EP1830-301-(3)-(N) = 2" dia x 1 3/4 long, 40 lbs. load, Style 3, Neoprene

PART NUMBER	STYLE	DIA. (in.)	T (in.)	THREAD	COMPRESSION (lbs.)	SHEAR (lbs.)
EP1830-301-(-)(-)	3	2	1 3/4	1/2-13	90	40
EP1830-302-(-)(-)					120	60
EP1830-303-(-)(-)					160	80
EP1830-304-(-)(-)					225	100
EP1830-305-(-)(-)					480	200
EP1830-311-(-)(-)	3	2	2 1/8	1/2-13	80	30
EP1830-312-(-)(-)					100	40
EP1830-313-(-)(-)					135	55
EP1830-314-(-)(-)					180	70
EP1830-315-(-)(-)					400	140
EP1810-331-(-)(-)	1	2	1 3/4	1/2-13	90	N/A
EP1810-332-(-)(-)					150	N/A
EP1810-333-(-)(-)					275	N/A
EP1810-334-(-)(-)					625	N/A
EP1810-335-(-)(-)					780	N/A
EP1810-341-(-)(-)	1	2	1	1/2-13	95	N/A
EP1810-342-(-)(-)					160	N/A
EP1810-343-(-)(-)					300	N/A
EP1810-344-(-)(-)					650	N/A
EP1810-345-(-)(-)					725	N/A
EP1810-361-(-)(-)	3	2	2 5/8	1/2-13	60	15
EP1810-362-(-)(-)					90	30
EP1810-363-(-)(-)					125	45
EP1810-364-(-)(-)					160	50
EP1810-365-(-)(-)					385	100



AVAILABLE IN NATURAL AND NEOPRENE

# **PRODUCT INFORMATION**

Every effort has been made to ensure that the information contained in this catalog was accurate at the time of publication. Polymer Technologies Inc. reserves the right to make changes at any time without prior notice. Please contact us before using the information contained herein as the basis for your design or specification. This information is provided for reference only.