

## Applications

- Oxygen concentrators
- Gensets
- Engine mounts
- Cab mounts
- Medical equipment
- Compressors
- Electronic equipment

## Load Range

- EP3001 = 8 load ratings from 4 to 20 lbs.
- EP3002 = 16 load ratings from 3 to 26 lbs.
- EP3003 = 10 load ratings from 12 to 60 lbs.
- EP3004 = 12 load ratings from 20 to 90 lbs.
- EP3106 = 10 load ratings from 1 to 6 lbs.
- EP3156 = 8 load ratings from 6 to 16 lbs.

## Attributes

- All attitude
- Low cost
- Compact, low profile design
- Available in a square or diamond shaped flange
- Easy to install
- Low natural frequency

## Specifications

- Natural frequency—8-20 Hertz
- Transmissibility at resonance—10:1
- Resilient element—Neoprene
- Standard materials—Cold-rolled steel
- Weight—varies with model

## Elastomeric Data

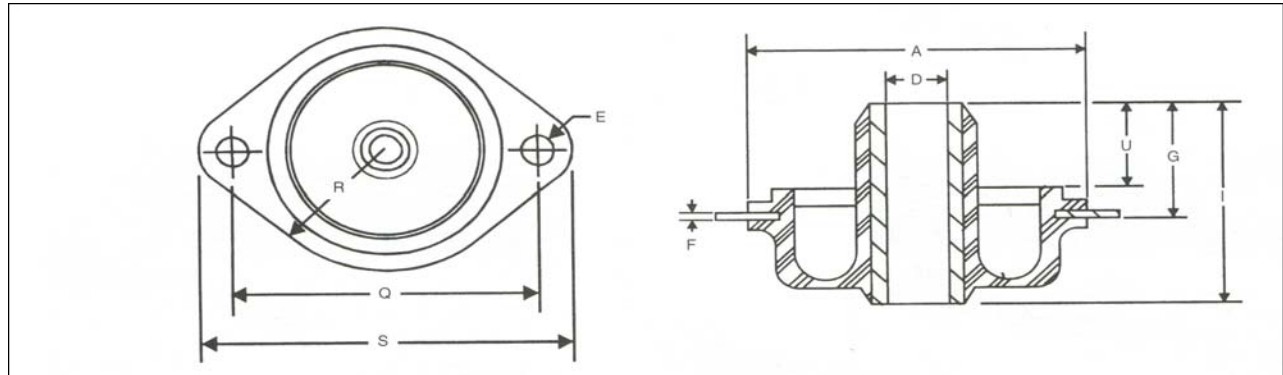
- Neoprene has an operating temperature range of -40°F to +200°F (-40°C to +93°C) and is resistant to oil, most solvents and ozone
- Other elastomeric formulations are available in BUNA-N, Silicone, Butyl and Polybutadiene for improved damping, low and high temperature resistance

Specifications subject to change without notice. Check with factory for latest revisions. The Federal Trade Commission considers no existing test methods or standards regarding flammability as accurate indicators of the performance of cellular plastic materials under actual fire conditions. Results of existing test methods, such as UL-94, MVSS-302, SAE J-369, and FAR 25.853 are intended only as measurements of the performance of such materials under specific controlled test conditions. Any flammability ratings shown are not intended to reflect hazards presented by these materials under actual fire conditions. The information contained herein is based on laboratory test data developed for PTI and is believed to be reliable, but its accuracy or completeness is not guaranteed. The buyer must test any product to determine the suitability for his specific application before use. PTI DISCLAIMS ANY RESPONSIBILITY FOR: 1) WARRANTIES OF FITNESS AND PURPOSE, 2) VERBAL RECOMMENDATIONS, 3) CONSEQUENTIAL DAMAGES FROM USE AND 4) VIOLATION OF ANY PATENTS OR TRADEMARKS HELD BY OTHERS.



**Diamond Flange**

PART NUMBER	AXIAL SPRING RATE (lbs./in.)	MAX LOAD (lbs.)	A	D +.008 -.005	E +.003 -.002	F	G	I (MIN)	Q	R	S	U
EP3106-01	5	1	1.00	0.166	0.166	0.032	0.53	0.84	1.414	0.62	1.66	0.38
EP3106-02	11	2										
EP3106-03	16	3										
EP3106-04	21	4										
EP3106-05	32	6										

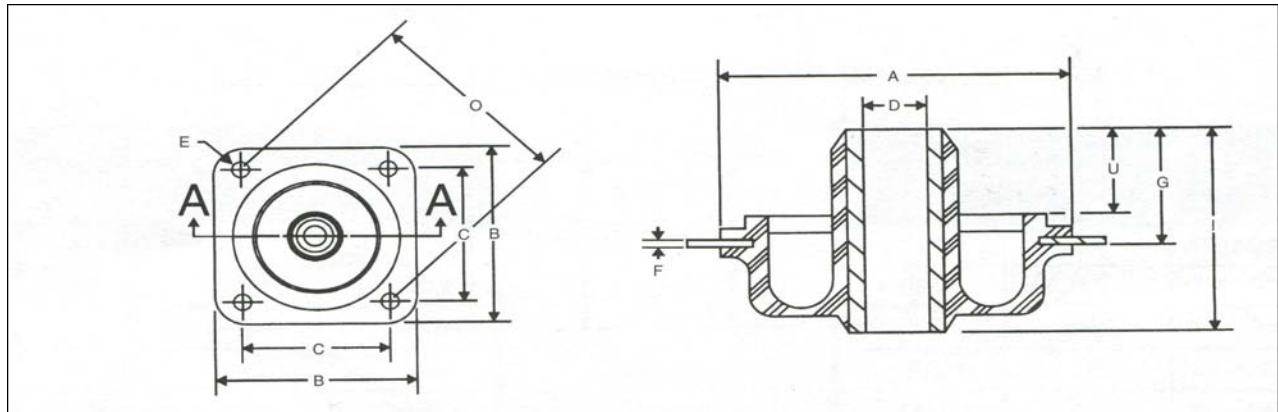


Specifications subject to change without notice. Check with factory for latest revisions. The Federal Trade Commission considers no existing test methods or standards regarding flammability as accurate indicators of the performance of cellular plastic materials under actual fire conditions. Results of existing test methods, such as UL-94, MVSS-302, SAE J-369, and FAR 25.853 are intended only as measurements of the performance of such materials under specific controlled test conditions. Any flammability ratings shown are not intended to reflect hazards presented by these materials under actual fire conditions. The information contained herein is based on laboratory test data developed for PTI and is believed to be reliable, but its accuracy or completeness is not guaranteed. The buyer must test any product to determine the suitability for his specific application before use. PTI DISCLAIMS ANY RESPONSIBILITY FOR: 1) WARRANTIES OF FITNESS AND PURPOSE, 2) VERBAL RECOMMENDATIONS, 3) CONSEQUENTIAL DAMAGES FROM USE AND 4) VIOLATION OF ANY PATENTS OF TRADEMARKS HELD BY OTHERS.



**Square Flange**

PART NUMBER	AXIAL SPRING RATE (lbs./in.)	MAX LOAD (lbs.)	A	B	C	D +.008 -.005	E +.003 -.002	F	G	I	O	U
EP3106-51	5	1	1.00	1.25	1.000	0.166	0.166	0.032	0.53	0.84	1.414	0.38
EP3106-52	11	2										
EP3106-53	16	3										
EP3106-54	21	4										
EP3106-55	32	6										



Specifications subject to change without notice. Check with factory for latest revisions. The Federal Trade Commission considers no existing test methods or standards regarding flammability as accurate indicators of the performance of cellular plastic materials under actual fire conditions. Results of existing test methods, such as UL-94, MVSS-302, SAE J-369, and FAR 25.853 are intended only as measurements of the performance of such materials under specific controlled test conditions. Any flammability ratings shown are not intended to reflect hazards presented by these materials under actual fire conditions. The information contained herein is based on laboratory test data developed for PTI and is believed to be reliable, but its accuracy or completeness is not guaranteed. The buyer must test any product to determine the suitability for his specific application before use. PTI DISCLAIMS ANY RESPONSIBILITY FOR: 1) WARRANTIES OF FITNESS AND PURPOSE, 2) VERBAL RECOMMENDATIONS, 3) CONSEQUENTIAL DAMAGES FROM USE AND 4) VIOLATION OF ANY PATENTS OF TRADEMARKS HELD BY OTHERS.